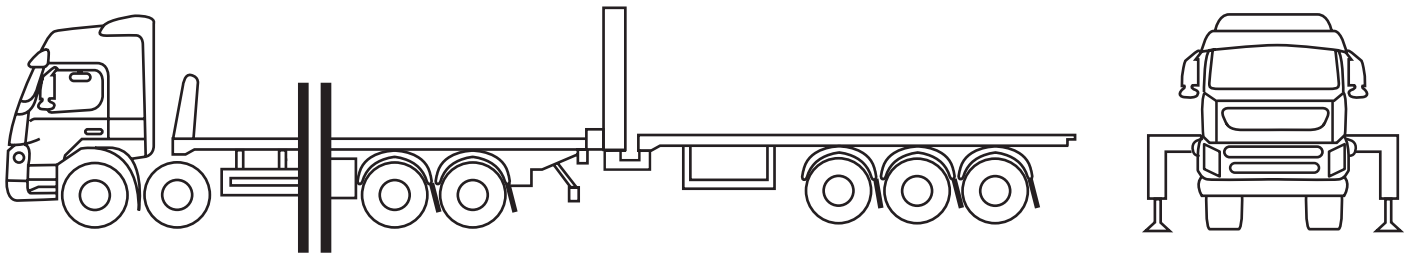
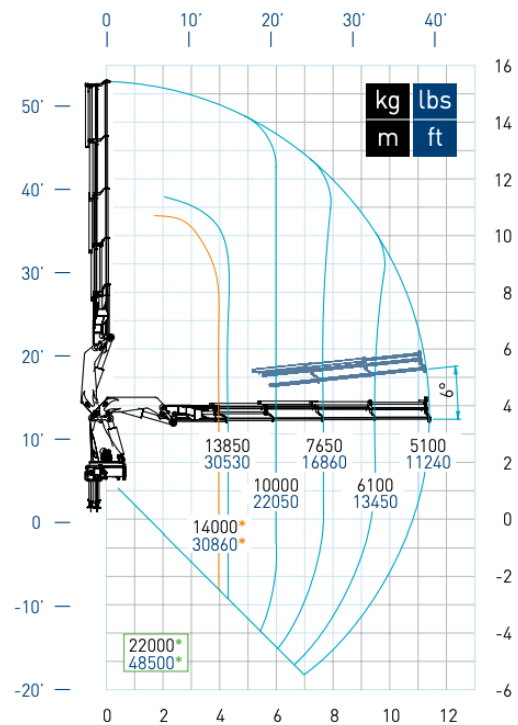


## SCANIA - T100 HTF



### 65024 SP



### SCANIA - T100 HTF

Rear steering back axle

Rear mounted

The PM65024SP has been developed with CAN-BUS technology and built using state-of-the-art quality components

### Technical Specifications (EN 12999 HC1 HD4/B3)

Max. lifting capacity	13850 kg / 4250mm	Gross Vehicle Weight	32000kg
Max. hydraulic outreach	11200 m / 5100kg	Truck Tare Weight	22500kg
Main Stabilizer span	8700mm	Truck payload (solo)	9500kg
Aux Stabilizer span	7100mm	Gross Train Weight	44000kg
Stabilizer pad size	600 x 600mm	Train Tare Weight	25750kg
Stabilizer max reaction	201.46kN	Train payload	17000kg spread overall